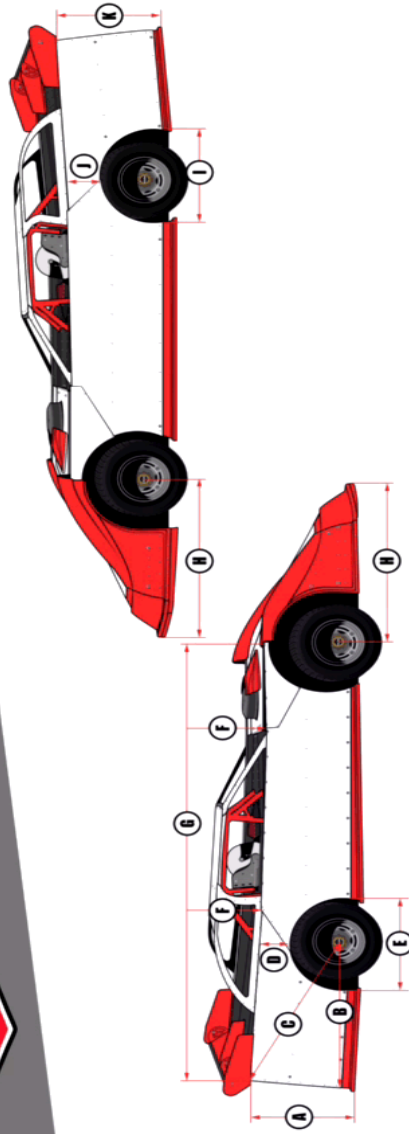


# TCR BODY RULES 602 & 604 & LATE MODEL



- A** Twenty-Seven inches (27") MINIMUM, Thirty-One Inches (31") MAXIMUM INCLUDING Plastic
- B** Forty-Nine Inches (49")
- C** Fifty-Four Inches (54")
- D** Nine inch (9") MAXIMUM
- E** Twenty-Nine Inches (29") MINIMUM, Thirty-Two Inches (32") MAXIMUM
- F** One Inch (1") Drop
- G** Two Inches (2") Drop from rear of car to top of fender
- H** Fifty-Three Inches (53")
- I** Twenty-Eight Inches (28") MINIMUM, Thirty-Three Inches (33") MAXIMUM. Opening at sheet metal MUST be a symmetrical circle
- J** Ten Inches (10") MAXIMUM
- K** Thirty-Three Inches (33") MINIMUM, Thirty-Six Inches (36") MAXIMUM INCLUDING Plastic

# TCR BODY RULES 602 & 604 & LATE MODEL



**A** Four and One Half Inches (4.5")

**B** Eighteen Inches (18")

**C** Eight Inches (8")

**D** Eight Inches (8")

**E** Forty-Five Degrees (45°) from mounting surface

**F** Broken line indicates one-half inch (1/2") MAXIMUM break

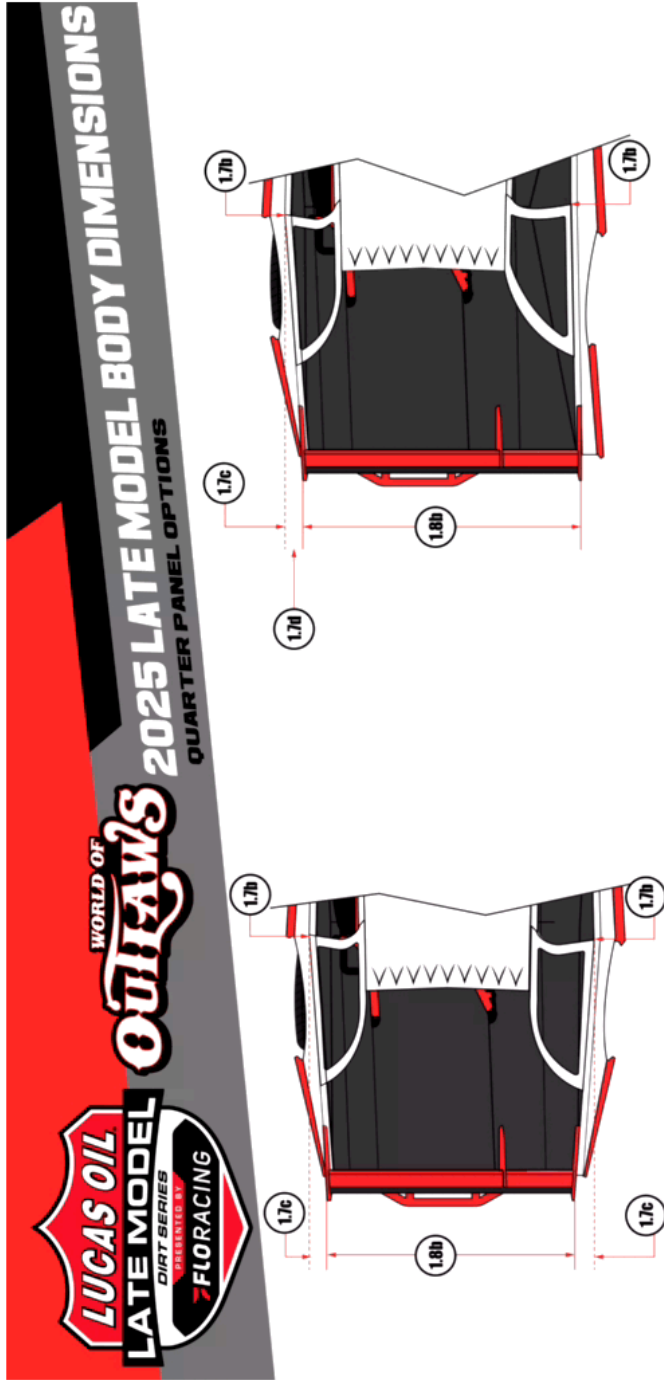
**G** One inch (1")

**H** Radius must be MINIMUM of two inches (2") at top rear

**NOTE** No more than three (3) spoiler supports permitted. Front edge of supports must be in line.

**NOTE** DIMENSIONS HAVE ZERO TOLERANCE!

# TCR BODY RULES 602 & 604 & LATE MODEL



## OPTION 1

Rear decks must taper from seventy-six inches (76"), as measured at the top over the rear hubs, uniformly back to seventy-two inches (72") at the spoiler, equally on both sides.

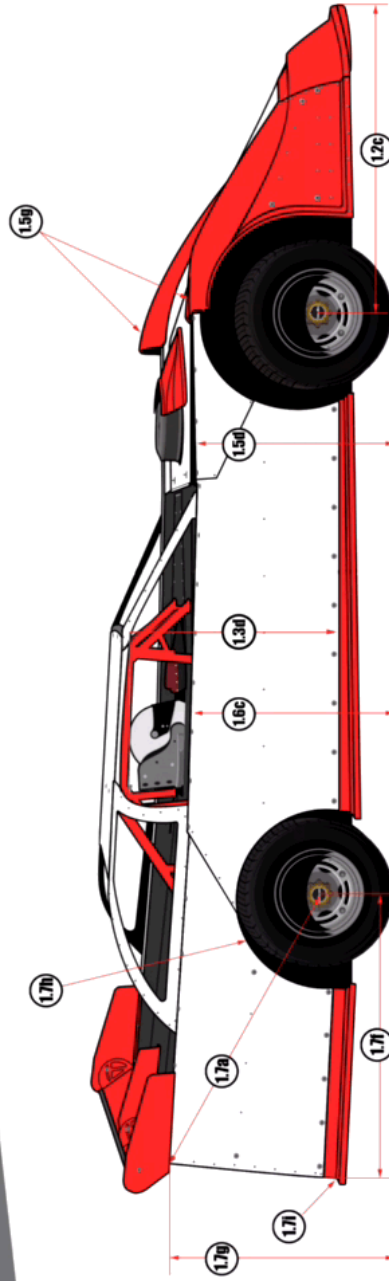
## OPTION 2

Rear decks must taper from seventy-six inches (76"), as measured at the top over the rear hubs, uniformly back to seventy-two inches (72") at the spoiler, equally on both sides.

# TCR BODY RULES 602 & 604 & LATE MODEL



## 2025 LATE MODEL BODY DIMENSIONS MASTER SIDE VIEW



- 1.2c** Stock nosepiece can extend a maximum of fifty-three inches (53") from center of front hub to farthest point extending forward
- 1.3d** Minimum thirty eight inches (38") from bottom of roll cage to top of the floor pan
- 1.5d** Front fenders cannot exceed thirty-seven inches (37") in height measured from the ground
- 1.5g** The front fender flares may not be higher than fenders by more than four inches (4")
- 1.6c** Doors cannot exceed thirty-seven inches (37") in height measured from the ground
- 1.7a** Fifty-four inches (54") MAXIMUM center of rear hub to top corner of quarter panel
- 1.7f** Forty-nine inches (49") MAXIMUM length from center of rear hub to end of quarter panel
- 1.7g** Thirty-nine inches (39") MAXIMUM height from top of deck to ground
- 1.7h** MINIMUM of two inches (2") tire clearance from body
- 1.7i** Skirting cannot extend beyond the quarter panel